



Airflow Direction Inc.

19 Jefferson Avenue, Saugus, MA 01906

Toll Free Tel: (888) 334-4545 <> Toll Free Fax: (888) 257-3555
www.airflowdirection.com <> Email: Info@airflowdirection.com

ADI TECHNICAL BULLETIN – FIRE RATED WALLS

DISCLAIMER: This bulletin is for information only and is not to be relied upon in making any decisions regarding code issues, which of course should be addressed with your state and local officials, a registered professional engineer, your insurance carrier and any other authority having jurisdiction (AHJ.)

SUBJECT: Fire-Rated Walls & ADI's Baulin-tube® Indicator.

DATE: February 4, 2004

ISSUE: Does ADI offer a solution for its indicators that penetrate a fire-rated wall?

DISCUSSION:

Regarding the fire-rated wall, ADI offers a detail that is common for penetrations through a wall such as non-metallic plumbing waste & vent lines. The detail uses a sleeve in the wall and an intumescent wrap by 3M™ called the FireStrap™. Ask ADI for a copy of the detail, but read on.

This detail may not be needed however, since the wall may not be required to be fire-rated. For example, in HealthCare Occupancies, in the Eighth Edition of the NFPA 101, Life Safety Code @ Handbook*, section 19.3.6.2.1 with Exception No. 1, if the smoke compartment is protected throughout by an approved, supervised sprinkler system, the corridor walls do not have to be fire-rated. This is also supported in the Handbook Tutorial on page 561, second paragraph, first sentence.

Further references suggesting that an approved sprinklered HealthCare smoke compartment wall may need not be fire-rated and only resist the passage of smoke is discussed in Fire and Life Safety in Health Care Facilities**, pages 274 & 275 .

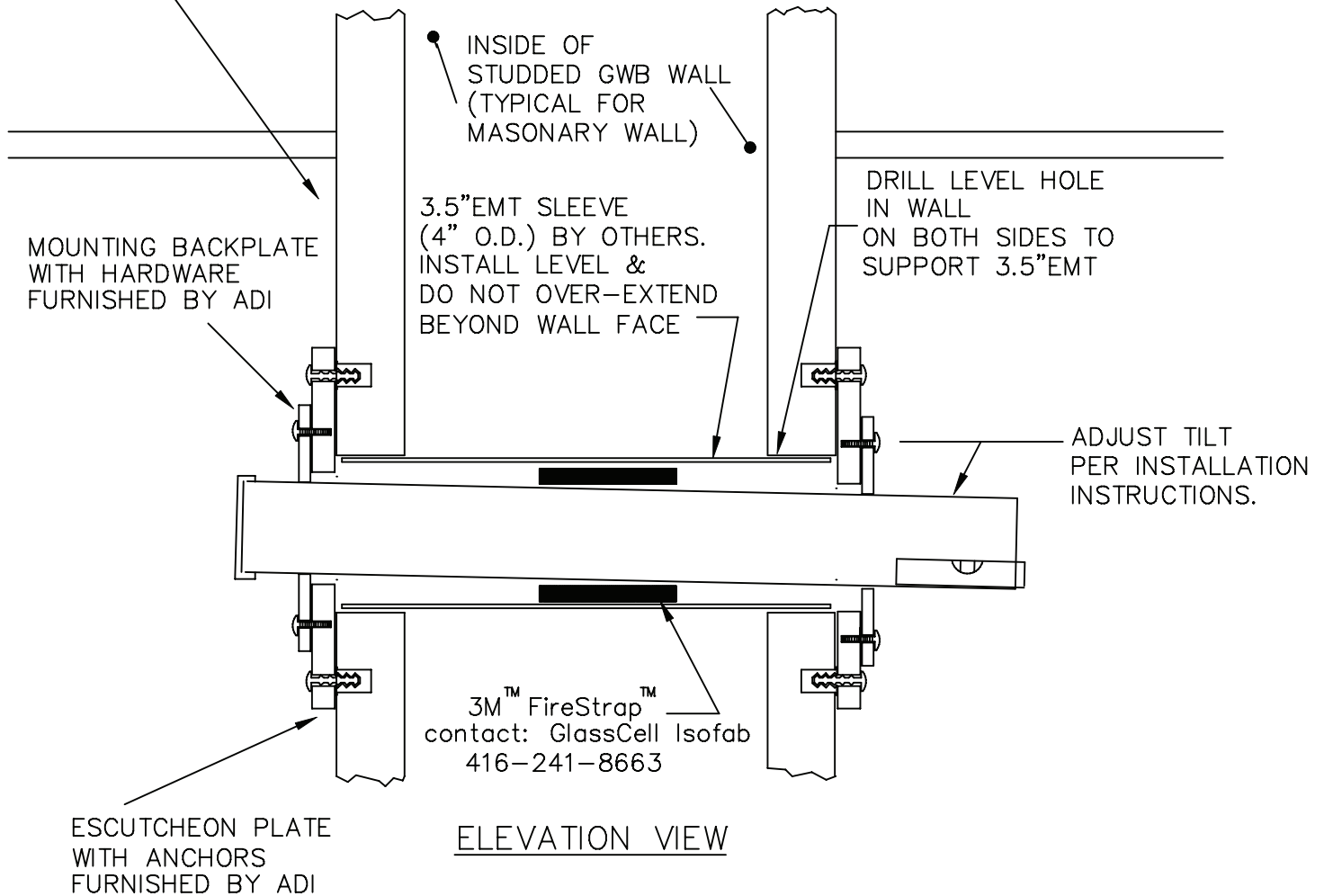
Regarding the transfer of smoke through openings in healthcare patient sleeping room walls, please see: ADI'S TECHNICAL BULLETIN - SMOKE TRANSMISSION THROUGH OPENINGS IN HEALTHCARE PATIENT SLEEPING ROOM WALLS

* *NFPA 101 Life Safety Code @ HANDBOOK*, Ron Cote, P.E., Eight Edition, ISBN 0-87765-448-4 © 2000 is a publication of the National Fire Protection Association, One Batterymarch Park, Quincy, MA 0269

** *Fire and Life Safety in Health Care Facilities*, Fischer, Gardner, Klein, Lathrop, ISBN 087765-453-0 © 2000 is a publication of the National Fire Protection Association, One Batterymarch Park, Quincy, MA 0269

END

BE SURE TO ORDER ESCUTCHEON PLATES.
 CAUTION! BE SURE SLEEVE IS INSTALLED TO ALLOW THE 6" DIA ESCUTCHEON PLATE TO CLEAR DOOR HEADER AND CEILING.



GENERAL NOTE: 4" O.D. HOLE REQUIRED. FIELD INSTALL THE 3.5" EMT SLEEVE (4" O.D.) (BY OTHERS) LEVEL. INSTALL THE ADI TUBE AND FIRESTRAP(R) AND FOLLOW THE GENERAL ADI INSTALLATION INSTRUCTIONS PROVIDED WITH THE UNIT.

FIRESTOP NOTE:
 THE FIRESTOP IS USED ON PLUMBING AND OTHER NON-METALLIC PENETRATIONS. TO PROCURE THE 3M FireStrap(R), CONTACT GLASSCELL ISO FAB INC., TEL: 416-241-8663 OR FAX: 416-241-0306
 3M(R) & FIRESTRAP(R) are registered trademarks of the 3M Company.

DWG: DETAIL-FIREWALL.DWG