

Airflow Direction Inc.

19 Jefferson Avenue, Saugus, MA 01906

Toll Free Tel: (888) 334-4545 <> Toll Free Fax: (888) 257-3555
www.airflowdirection.com <> Email: Info@airflowdirection.com

ADI TECHNICAL BULLETIN – GLASS WALLS & DOORS

DISCLAIMER: This bulletin is for information only and is not to be relied upon in making any decisions regarding code issues, which of course should be addressed with your state and local officials, a registered professional engineer, your insurance carrier and any other authority having jurisdiction (AHJ.)

SUBJECT: Installation of ADI's Baulin-tube® Indicator in a door or a glass wall.

DATE: June 16, 2004

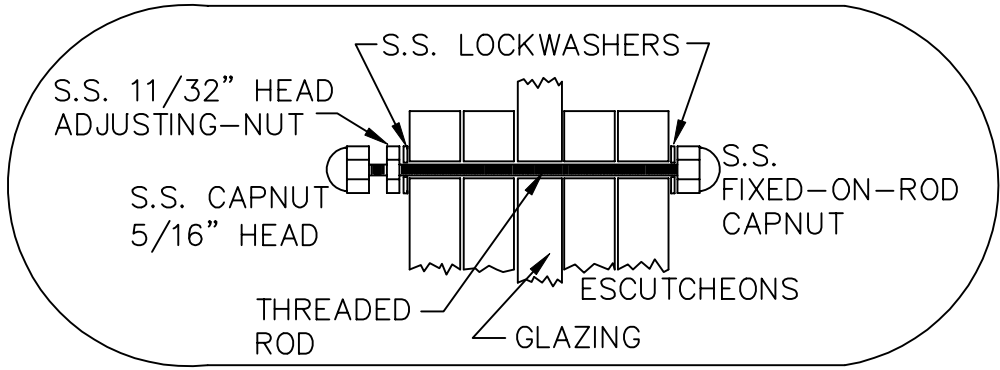
ISSUE: 1) Can the installer put the indicator in a door or glass wall?

DISCUSSION:

This is possible as long as the door or glass is ¼" thick or more. For glass, ADI highly recommends the glass to be ordered pre-drilled by the glass manufacturer or supplier (ask ADI for the escutcheon template). Be sure to tell ADI about the glass application so the proper escutcheons in the attached detail can be provided,

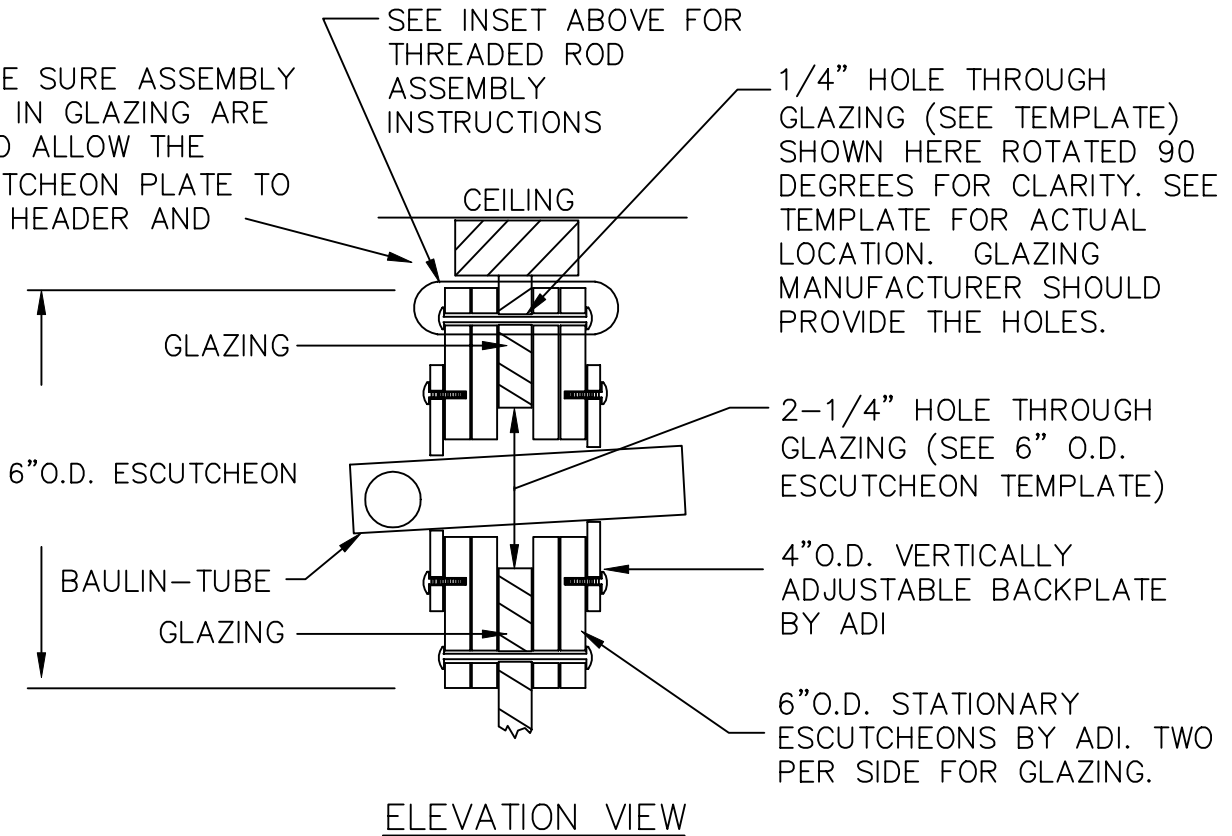
END

INSERT ROD WITH FIXED CAPNUT AND LOCKWASHER THROUGH ASSEMBLY. THEN, ON OTHER SIDE, TIGHTEN ROD ASSEMBLY WITH LOCKWASHER, ADJUSTING-NUT AND FINISH END WITH CAPNUT.



THREADED ROD INSTALLATION INSET AND INSTRUCTIONS

CAUTION! BE SURE ASSEMBLY AND HOLES IN GLAZING ARE LOCATED TO ALLOW THE 6" DIA ESCUTCHEON PLATE TO CLEAR THE HEADER AND CEILING.



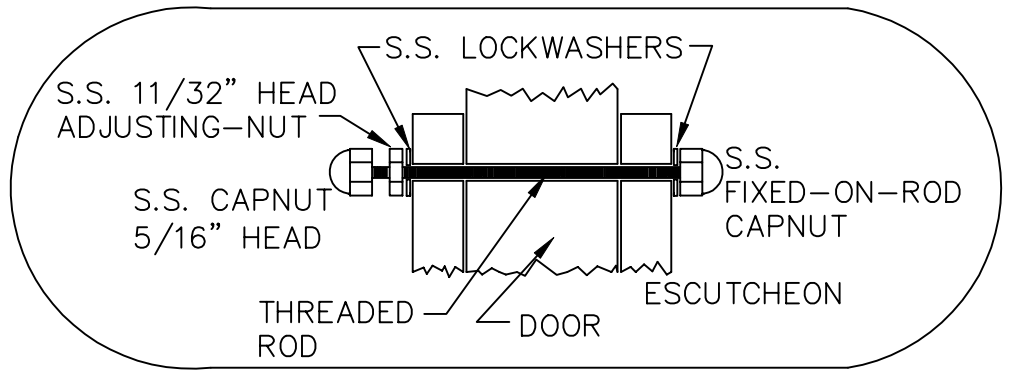
ELEVATION VIEW

THE ADI INDICATOR CAN BE INSTALLED IN GLASS USING ADI'S 6" O.D. ESCUTCHEON PLATES ON EACH SIDE, SECURED TO THE ECUTCHEONS ON THE OTHER SIDE OF THE GLASS VIA TWO THREADED RODS WITH FINISH CAP NUTS (FURNISHED BY ADI, SEE ESCUTCHEON TEMPLATE FOR LOCATING THE TWO 1/4" HOLES AND THE ONE 2-1/4" HOLE THROUGH THE GLASS).

THE 4" O.D. BACKPLATE HOLDS THE TUBE IN PLACE AND IS VERTICALLY ADJUSTABLE TO ADJUST THE TILT OF THE TUBE.

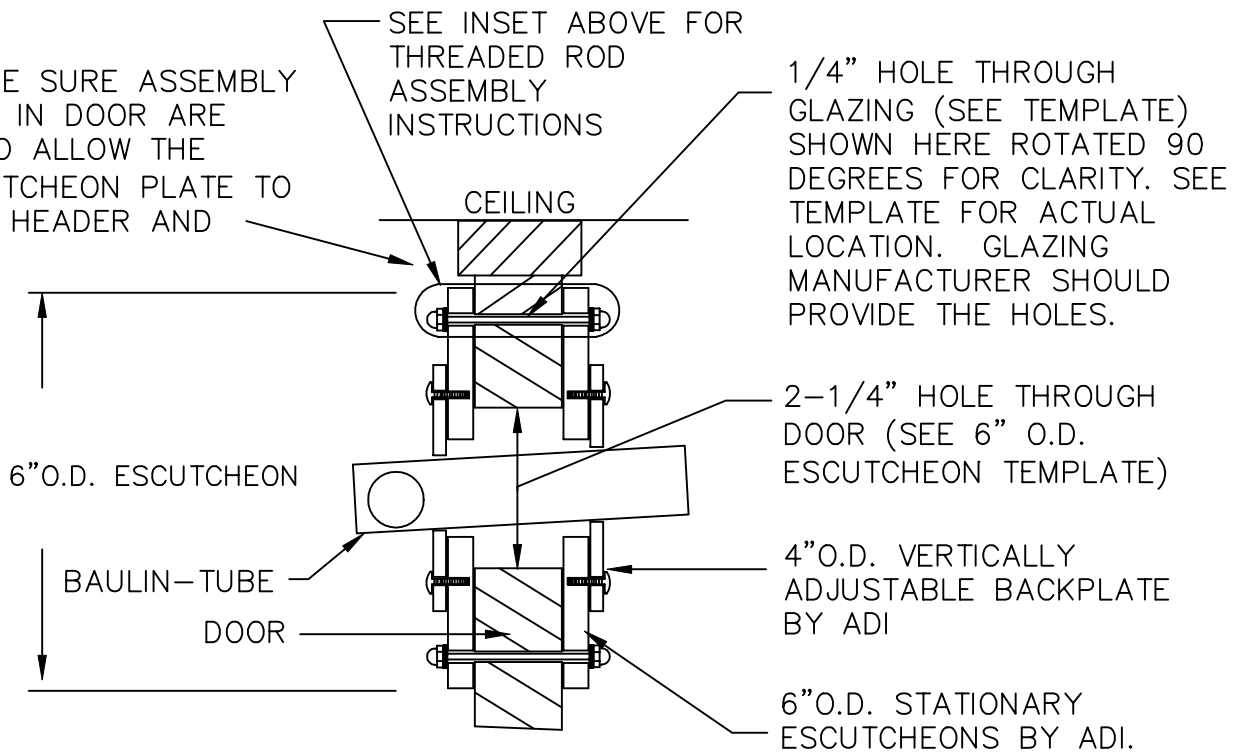
DWG: DETAIL-GLASS INSTALLATION.DWG

INSERT ROD WITH FIXED CAPNUT AND LOCKWASHER THROUGH ASSEMBLY. THEN, ON OTHER SIDE, TIGHTEN ROD ASSEMBLY WITH LOCKWASHER, ADJUSTING-NUT AND FINISH END WITH CAPNUT.



THREADED ROD INSTALLATION INSET AND INSTRUCTIONS

CAUTION! BE SURE ASSEMBLY AND HOLES IN DOOR ARE LOCATED TO ALLOW THE 6" DIA ESCUTCHEON PLATE TO CLEAR THE HEADER AND CEILING.



ELEVATION VIEW

THE ADI INDICATOR CAN BE INSTALLED IN DOORS USING ADI'S 6" O.D. ESCUTCHEON PLATES ON EACH SIDE, SECURED TO THE ESCUTCHEON(S) ON THE OTHER SIDE OF THE DOOR VIA TWO THREADED RODS WITH WASHERS AND FINISH CAP NUTS (FURNISHED BY ADI, SEE ESCUTCHEON TEMPLATE FOR LOCATING THE TWO 1/4" HOLES AND THE ONE 2-1/4" HOLE THROUGH THE DOOR).

THE 4" O.D. BACKPLATE HOLDS THE TUBE IN PLACE AND IS VERTICALLY ADJUSTABLE TO ADJUST THE TILT OF THE TUBE.

DWG: DETAIL-DOOR INSTALLATION.DWG